



Tangle Tamers
Electrical Engineers Ltd

Disclaimer

These background notes contain various information and opinions based on events and facts investigated. As with engineering judgement, 'opinions' are formulated based upon a review of the available evidence at a certain time and specific location.

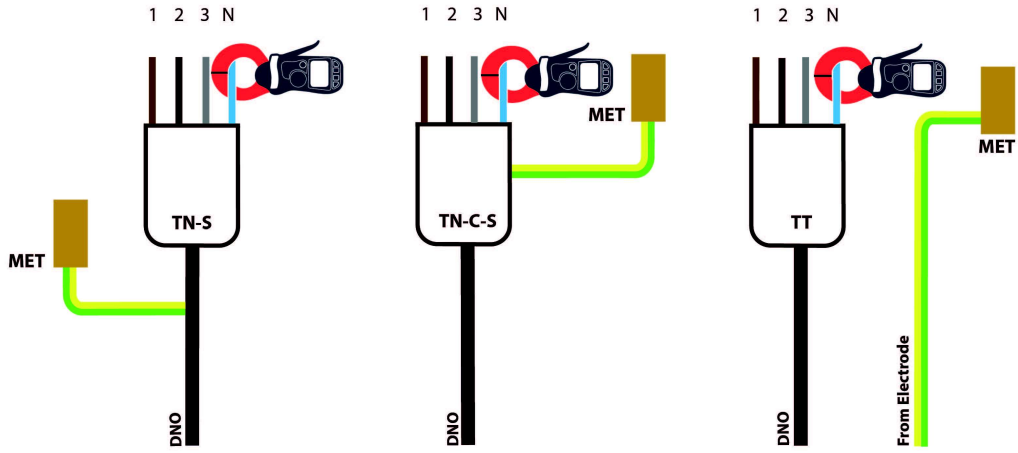
The background information is general in nature, indicating tendencies we have observed on various sites. We have taken all reasonable steps and exercised due care and attention while compiling these items. However, errors can happen, and specific equipment and circumstances can change outcomes significantly. Therefore care should be exercised before designing or basing decisions on these items without further expert input.

Confidentiality & Copyright

You may share the whole of this document. Those whom you share it with may in turn share the whole of the document. However, if you share a part of the document, share images or parts of images you must reference the document fully. So, if you or subsequent recipients wish to quote from or extract from the document you should reference the document fully, as "*Tangle Tamers Electrical Engineers Lts Current Measurement Techniques V1-1*".

3-PHASE

NEUTRAL MEASUREMENT

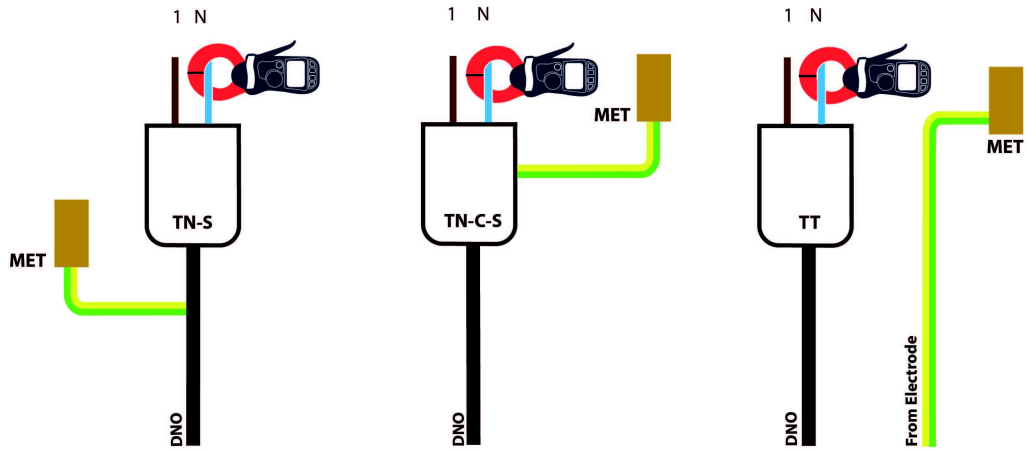


- 1 - L1 - Brown
- 2 - L2 - Black
- 3 - L3 - Grey
- N - Neutral - Blue
- MET - Main Earth Terminal



1-PHASE

NEUTRAL MEASUREMENT

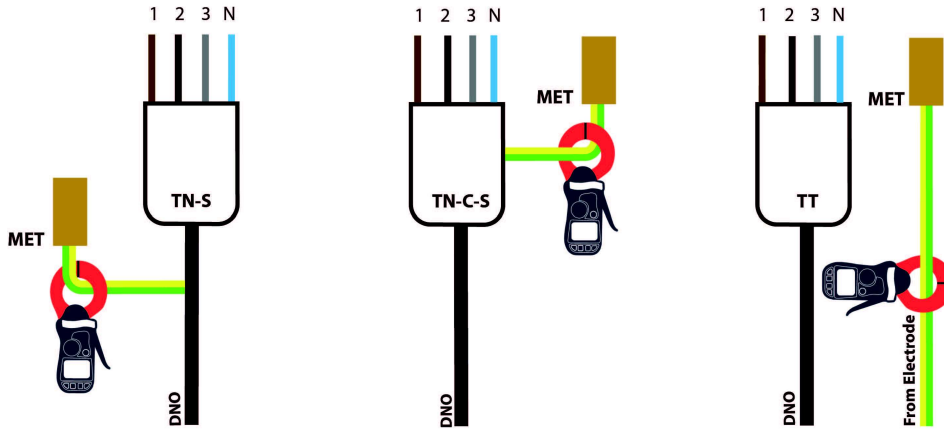


- 1 - L1 - Brown
- N - Neutral - Blue
- MET - Main Earth Terminal

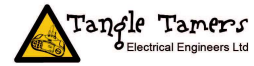


3-PHASE

EARTH CURRENT MEASUREMENT MAIN EARTH CONDUCTOR CURRENT, AKA EARTH CURRENT, AKA PROTECTIVE CONDUCTOR CURRENT. NB BEWARE OF METAL WORK & OTHER CURRENT PATHS.

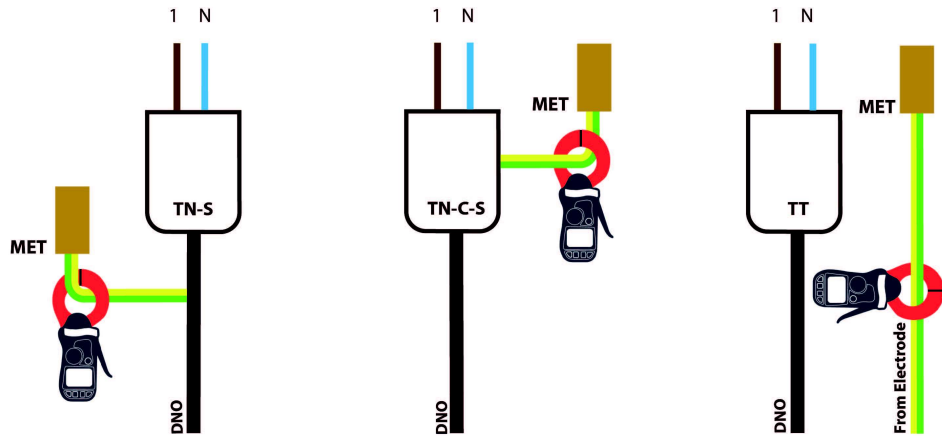


- 1 - L1 - Brown
- 2 - L2 - Black
- 3 - L3 - Grey
- N - Neutral - Blue
- MET - Main Earth Terminal



1-PHASE

EARTH CURRENT MEASUREMENT. MAIN EARTH CONDUCTOR CURRENT, AKA EARTH CURRENT, AKA PROTECTIVE CONDUCTOR CURRENT. NB BEWARE OF METAL WORK & OTHER CURRENT PATHS.

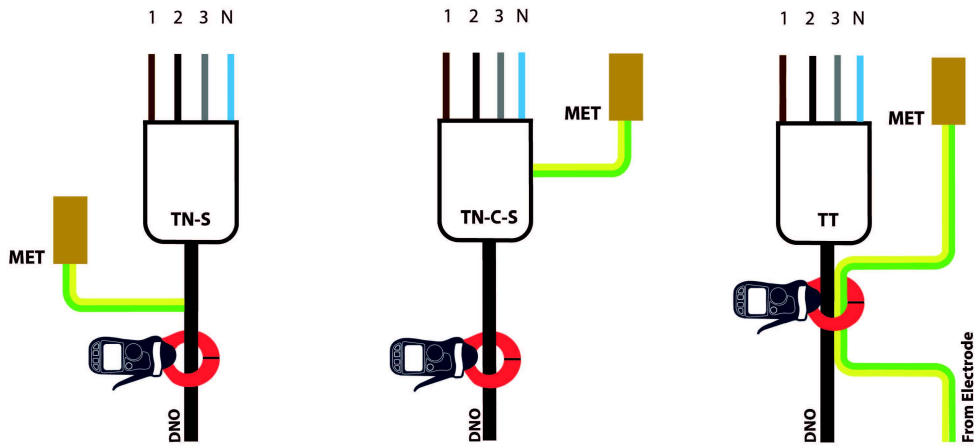


- 1 - L1 - Brown
- N - Neutral - Blue
- MET - Main Earth Terminal

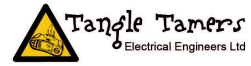


3-PHASE

NET CURRENT MEASUREMENT

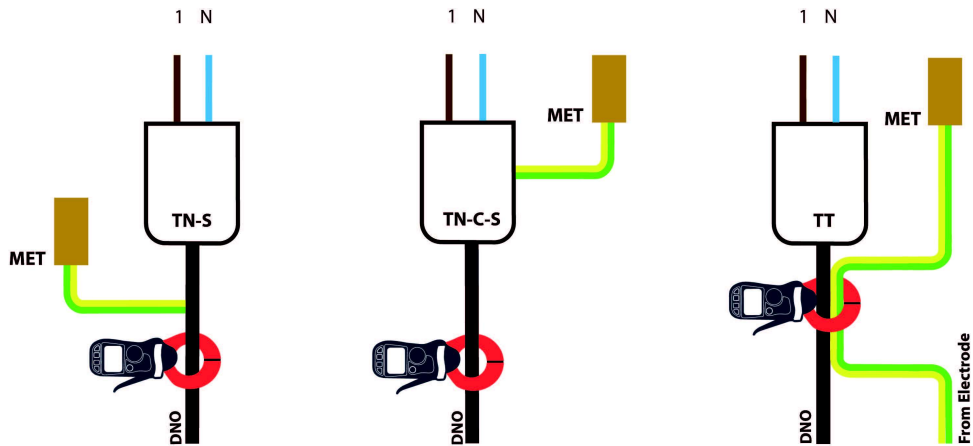


- 1 - L1 - Brown
- 2 - L2 Black
- 3 - L3 Grey
- N - Neutral - Blue
- MET - Main Earth Terminal



1-PHASE

NET CURRENT MEASUREMENT

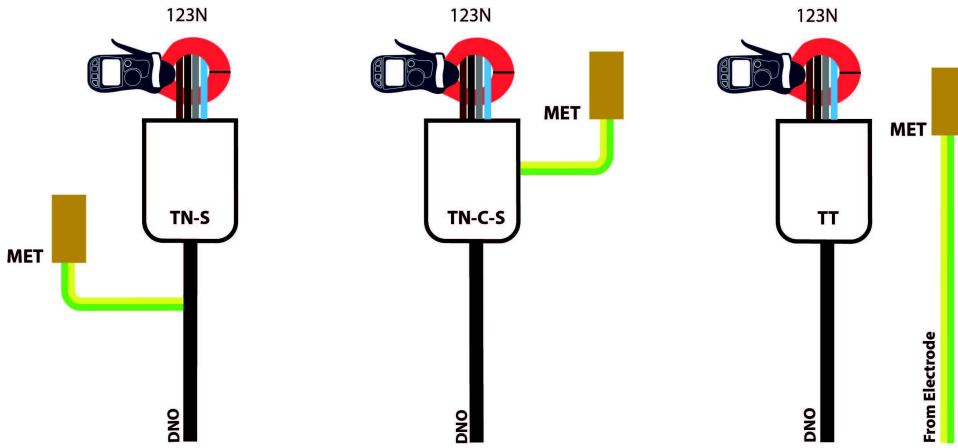


- 1 - L1 - Brown
- N - Neutral - Blue
- MET - Main Earth Terminal

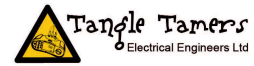


3-PHASE

RESIDUAL CURRENT MEASUREMENT, AKA CORE BALANCE CURRENT, AKA LEAKAGE CURRENT MEASUREMENT.

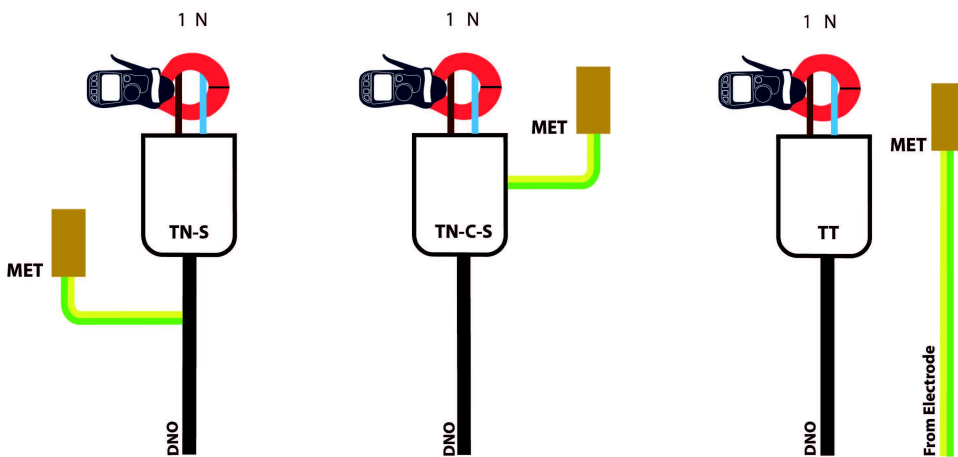


- 1 - L1 - Brown
- 2 - L2 - Black
- 3 - L3 - Grey
- N - Neutral - Blue
- MET - Main Earth Terminal



1-PHASE

RESIDUAL CURRENT MEASUREMENT, AKA CORE BALANCE CURRENT, AKA LEAKAGE CURRENT MEASUREMENT.

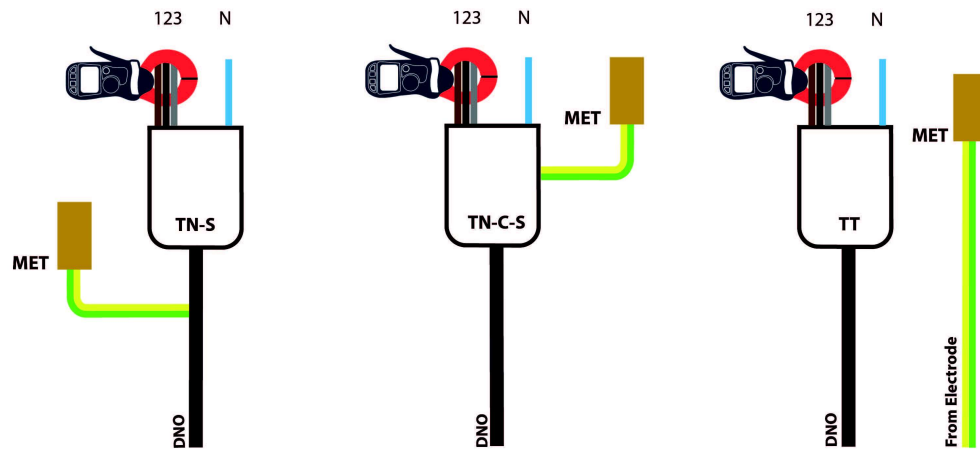


- 1 - L1 - Brown
- N - Neutral - Blue
- MET - Main Earth Terminal



3-PHASE

PHASE BALANCE CURRENT MEASUREMENT



1 - L1 Brown

2 - L2 Black

3 - L3 Grey

N - Neutral - Blue

MET - Main Earth Terminal